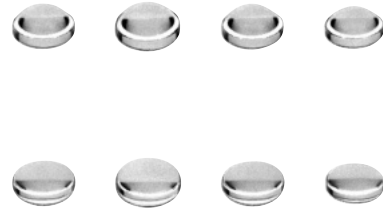


### Aspherical Glass Lenses

EYLG□□□□□□□□



A key device of optical electronics with high product reliability and stability achieved by a wide range of glass material and a variety of design that utilize them. Our unique manufacturing process, 'One-Shot' Precision molding method as well as our excellent aspherical designs enable devices to downsize, lightweight and gain high performance.

#### ■ Number of industrial property rights

- Domestic .....270
- Overseas ..... 27

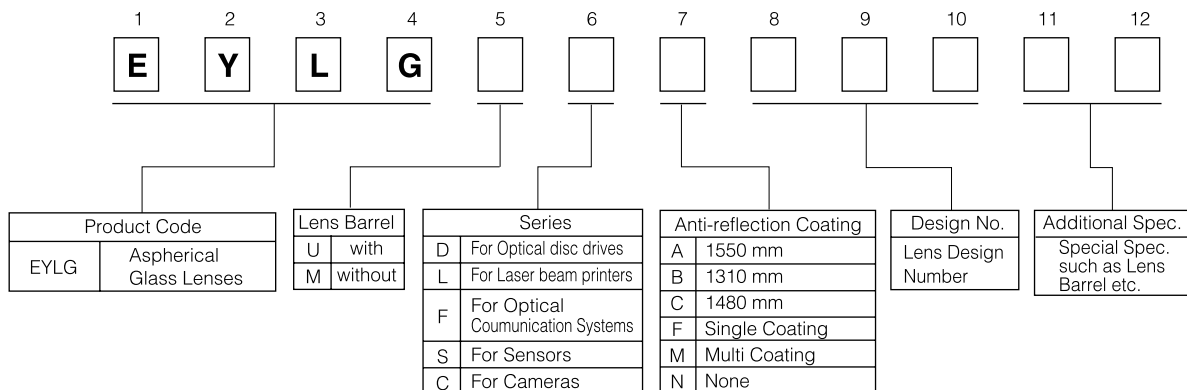
#### ■ Features

- High numerical aperture based on aspherical design
- Compact and lightweight based on short focal length design
- Best choice from variety of glass materials enables to design lenses for many applications.
- High product reliability and stability. No damages caused by severe conditions of temperatures or humidifies
- Equal optical characteristics achieved by adopting highly precise molding method
- Highly precise processing and measuring technique to supply the best designed lenses for many applications

#### ■ Recommended Applications

- As a pick up lens for optical drive devices
- As a collimator lens for laser beam printers
- As a coupling lens for optical communication systems
- As a image formation lens for sensors

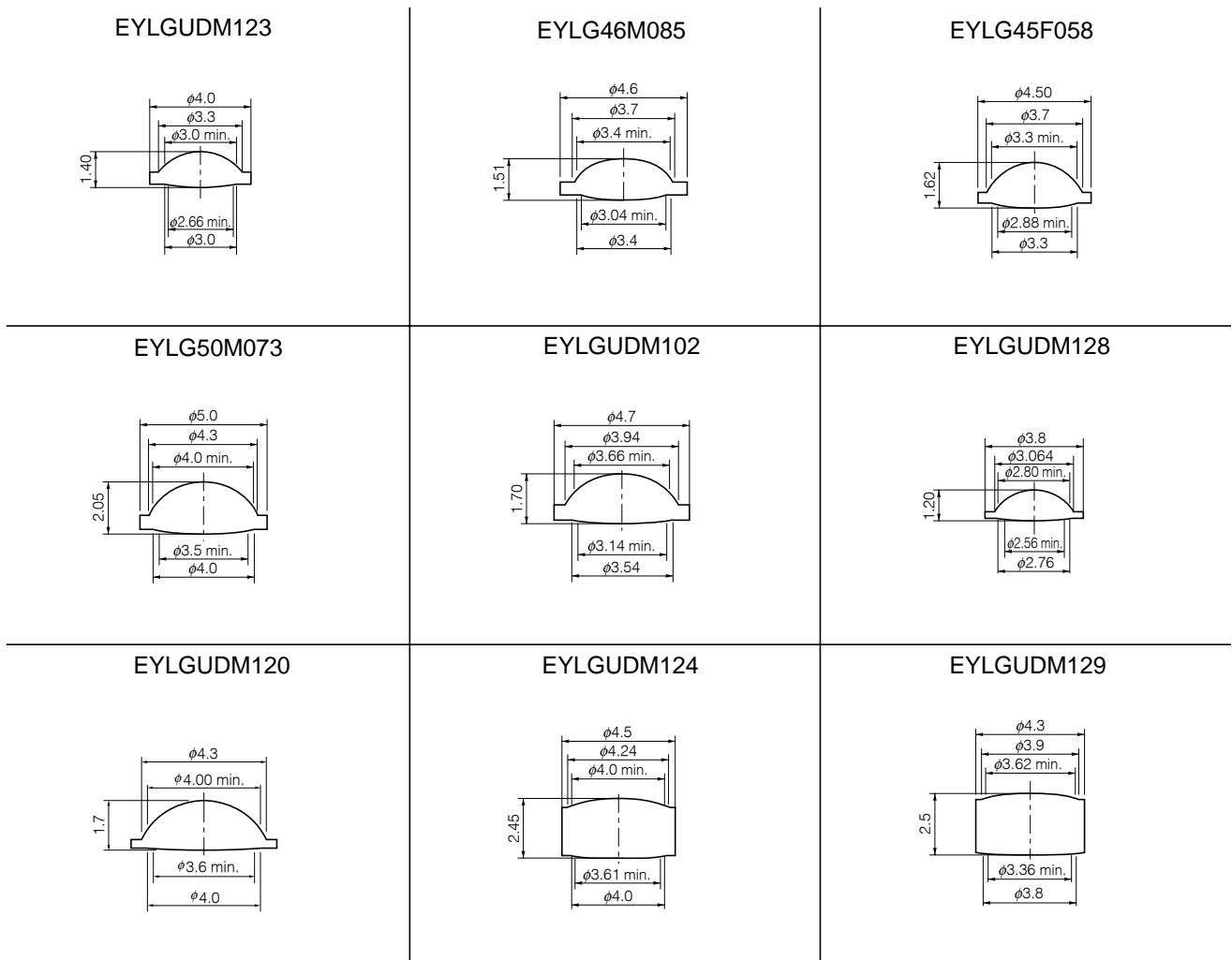
#### ■ Explanation of Part Numbers



- Specifications
- For Optical Disc Drives

Product Group	Objective Lens							Collimator Lens	
Item \ Part No.	EYLG UDM123	EYLG 46M085	EYLG 45F058	EYLG 50M073	EYLG UDM102	EYLG UDM128	EYLG UDM120	EYLG UDM124	EYLG UDM129
Wave Length (nm)	780	785	680	650	650	650	650	785	650
Numerical Aperture	0.50	0.50	0.55	0.60	0.60	0.60	0.65	0.186	0.128
Focal Length (mm)	3.00	3.40	3.00	3.30	3.05	2.33	3.05	10.74	14.15
Working Distance (mm)	1.462	1.806	1.362	1.782	1.700	1.270	1.696	7.804	8.901
Lens Diameter (mm)	φ4.0	φ4.6	φ4.5	φ5.0	φ4.7	φ3.8	φ5.0	φ4.5	φ4.3
Weight (mg)	23	32	32	52	51	20	50	84	81
Abbe Number	64	64	64	64	58	58	58	64	64
Cover Glass (mm)	1.2	1.2	1.2	0.6	0.6	0.6	0.6	2.25	5.85

■ Dimensions in mm (not to scale)



Design and specifications are each subject to change without notice. Ask factory for the current technical specifications before purchase and/or use. Should a safety concern arise regarding this product, please be sure to contact us immediately.