

Aspherical Glass Lenses

Panasonic

Oct.15,2003

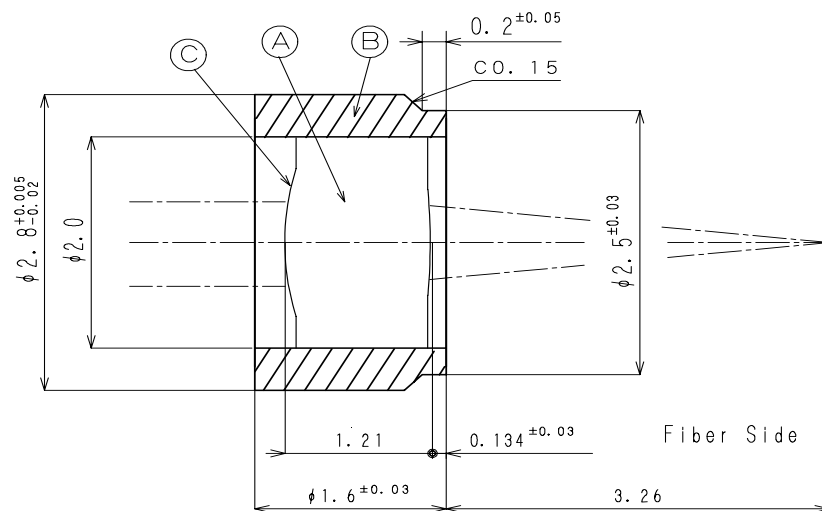
EYLGMA169B (P4017)

Recommended Applications

- ◇ Collimator lens for WDM coupler and Isolator module

Dimensions in mm

Barrel



Ratings and Characteristics

Item		Design value	Tolerance	Unit
Wave length		1550	±20	nm
Effective diameter	Fiber side	1.16	-	mm
	Parallel side	1.37	-	mm
Beam diameter	Fiber side NA=0.1	0.8	-	mm
Focus length		4.02	±0.05	mm
Objective distance		-	-	mm
Conjugate distance		-	-	mm
Wave front aberration		0.03	-	λrms
NA (Numerical aperture)	Fiber side	0.17	±0.01	
	Parallel side	-	-	
Working distance		3.26	-	mm
Magnification		-	-	
Transmittance		>97	-	%

Material

Symbol	Part Name	Material	Notes
A	Lens	PBK40	
B	Lens-Barrel	SF20T	
C	AR coating		1550nm